

R910 Mobile Hotspot

User Guide



Table of Contents

Introduction.....	1
Before You Begin	1
Compatible Operating Systems (OS).....	1
Package Contents.....	2
SSID and Security Key	2
Additional Information	3
Get Started.....	4
Parts and Functions	4
Home Screen	5
Home Screen Layout	5
Status Bar Icons.....	6
Menu Bar Icons.....	7
Data Transfer Volume and Transfer Speed.....	7
SIM Card	7
Handling a SIM Card.....	7
Insert or Remove SIM Card.....	8
Battery Use	10
Inserting/Removing the Battery.....	11
Charge the Battery.....	12
Turn Your Device On and Off	13
Restart Your Device.....	14
Connect with Wi-Fi (WLAN)	15
Wi-Fi (WLAN) Overview	15
Activate Wi-Fi (WLAN) Function	15
Connecting to the Internet.....	16
Settings	17
Web UI Overview	17
Web UI Window	17
Home.....	17
Admin Log in	18
Connected Devices	18
Check the Connected Devices.....	18

Set Access Permissions.....	18
Settings Tab	20
Wi-Fi Basic Settings	20
Wi-Fi Advanced Settings.....	22
Mobile Network Settings	23
APN.....	24
SIM.....	26
Advanced Mobile Network Settings.....	27
Device Settings	28
Preferences.....	28
Web Interface.....	29
Software Update.....	30
Backup and Restore.....	31
Backup.....	31
Restore	31
Restore to Factory Defaults	31
System Logs.....	32
Advanced Router Settings	33
LAN Settings.....	33
Firewall.....	34
IP Address Filtering.....	34
Portmapping.....	35
Captive Portal.....	37
Previously Connected Devices.....	37
Login.....	38
User Agreement.....	39
Browser Redirect.....	39
About	40
Support Tab	41
Appendix	42
Troubleshooting	42
Specifications	44

Warranty and Service.....	47
Warranty.....	47
Services.....	48
Customer Service	48
Trademarks and Copyright Information	48
Safety and Notices	49
Safety Precautions	49
Important Notice.....	49
Safety and Hazards.....	49
Proper Battery Use and Disposal.....	49
FCC Compliance.....	50
RF Exposure Information and Specific Absorption Rate (SAR) Information	50
Index.....	52

Introduction

The following topics describe the basics of using this guide and your new mobile broadband device.

Before You Begin

Thank you for purchasing your new R910 Mobile Hotspot!

The following topics explain how best to use this guide to get the most out of your mobile broadband device.

Before Using Your Device

Read [Safety and Notices](#) thoroughly for proper usage.

Accessible services may be limited by subscription contract conditions.

Guide Usage Notes

Note that most descriptions in this guide are based on your device's default settings at the time of purchase.

Screenshots and Key Labels

Screenshots and Key labels are provided for reference only. Actual windows, menus, etc. may differ in appearance.

Other Notations

In the user guide, the mobile broadband device may be referred to either as "mobile broadband device," "hotspot," "device," or "Wi-Fi router."

Compatible Operating Systems (OS)

The table below outlines the compatible operating systems (OS) for your device. Use outside these environments may affect performance. Additional factors (hardware, connected peripherals, installed applications, etc.) may also affect performance.

- For computer support, OS version upgrade information, etc., see the corresponding manufacturer's product support documentation.
- The information for operating system (compatible OS) listed below is the current information for your device as of Feb.2016.

Item	Description
Compatible operating systems (OS)	Windows 7, 8, 10 MacOS 10.5 or later Android 2.1 or later
Compatible browsers	Chrome 36.0 or later Internet Explorer 8.0 or later Firefox 3.1 or later Safari 5.0 or later



Package Contents

See below for details on everything you will find in the box for your R910.

- R910 Mobile Hotspot
- Battery Cover
- Rechargeable Battery
- AC Adapter
- Get Started Guide
- Important Information Booklet

SSID and Security Key

Before connecting Wi-Fi devices to your R910, you will need to confirm the WiFi Name and WiFi Password.

- Once your device is completely powered on, Main Wi-Fi Name and Password are shown on the display. (Note: when the device display is off, press the wake up keys: power button <  > on upper right side or navigation buttons <  > on front side)



- ❖ You will see the Wi-Fi Name (R910a-XXXXXX) and Wi-Fi Password.

Additional Information

The following list describes additional information before you begin using your R910.

- Your mobile broadband device accommodates software updates. Always use the latest software.
- Note that connection speeds may drop or connections may be disabled depending on line traffic or connection environments.

Get Started

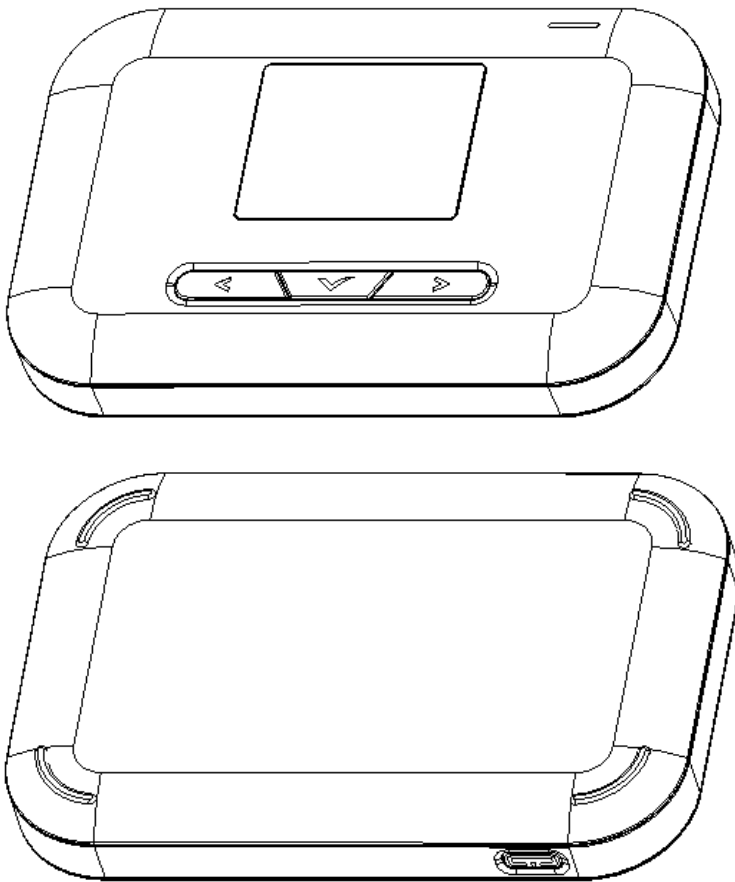
The following topics give you all the information you need to set up your device and wireless service for the first time.

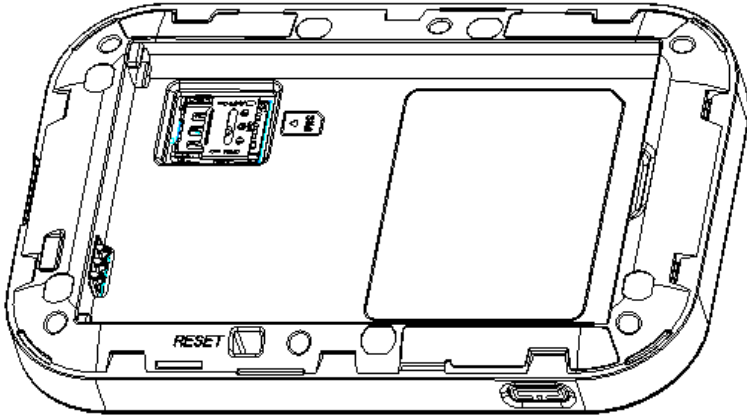
Parts and Functions

Learn your device's primary parts and functions.

Device Layout

The following illustration outlines your device's primary external features and buttons.





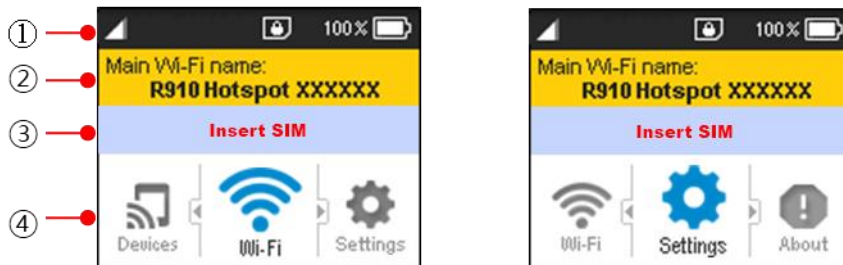
Part	Description
Display	View device status and information
SIM card slot	Install the SIM card.
AC Charging micro USB port	Connect the micro USB cable for charging.
Battery cover	Remove the battery cover to remove or insert the battery or SIM card.
Reset button	Located on back side of device after battery cover is removed. Press to reset your device settings to factory default. (Device must be On when pressing reset button.)
Power button	Press and hold to power on or off.




Home Screen

The following topics describe the details of your device's display layout, icons, and information.

Home Screen Layout












Explore your device's home screen layout.



Part	Description
① Status Bar	Displays status indicators including Signal strength, SIM Card, Roaming, battery level and more.
② Wi-Fi Name & Password Info bar	Displays Main Wi-Fi's SSID name and password Automatically toggles every 6 seconds
③ Notification Bar	Displays carrier logo and alerting messages such as Insert SIM
④ Menu Bar	Display Menu icons and access device menu through navigation buttons (Left:  , Select:  , Right: ).





Status Bar Icons

The Status Bar will display the following icons, depending on current status.

Icon	Description
	Mobile networks connected and data transmission direction
	Service signal strength. The more bars, the better service signal received
	Out of service area
	Appears when roaming
	The number of connected WLAN devices
	Battery full
	Battery low
	No battery. Battery icon blinking (charging required)
	Battery percentage appears next to battery icon
	Appears when No SIM is detected.
	Appears when an invalid SIM is detected.

Menu Bar Icons

The Menu Bar will display the following icons.

Icon	Description
 Devices	Shows the number of connected devices. Use this feature to see Main Wi-Fi and Guest Wi-Fi names and Mac Addresses of the devices currently connected.
 Wi-Fi	Shows the SSID and security keys (Main Wi-Fi and Guest Wi-Fi network names and passwords) for your device
 Settings	Adjust settings for Wi-Fi Options, Display Time out, Network, Software Update. Select Wi-Fi options to turn on and off the Wi-Fi network and to see Wi-Fi band. Select Display Timeout to change display timeout options. Select Network Mode to change network mode, roaming mode, and roaming guard. Select Software updates to download the latest firmware.
 About	Shows your device's phone number, software version, URL for the WEB UI etc. Use this feature to see model name, HW revision, battery level, main Wi-Fi, Guest Wi-Fi name and Mac Address, firmware version, build date, and web app version, etc. Select My Account to see phone number, PRL, Model, MEID, ICCID, Activation date, etc.

Data Transfer Volume and Transfer Speed

Wireless Mode	Maximum Downlink Speed	Typical Downlink Speed
4G LTE	150 Mbps	50 Mbps

Note: Actual speeds depend on several factors, including network conditions.

SIM Card

The SIM card is an IC card containing your device's phone number and other customer information.

Note: Your device's SIM card is preinstalled.

Handling a SIM Card


Keep the following in mind when handling a SIM card.

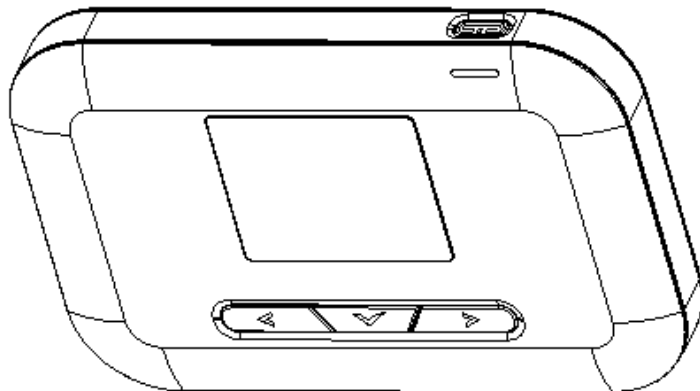
- Customer is responsible for any damage caused by inserting the SIM card in another-brand IC card reader, etc. The company is not responsible in such case.
- Always keep the IC chip clean.
- Wipe clean with a dry, soft cloth.
- Avoid applying labels. May damage the SIM card.
- See instructions included with the SIM card for handling.
- The SIM card is the property of the company.
- The SIM card is replaceable (at cost) in case of loss/damage.
- Return the SIM card to the company when cancelling subscription.
- Returned SIM cards are recycled for environmental purposes.
- Note that SIM card specifications and performance may change without notice.
- It is recommended that you keep a separate copy of information that is stored on the SIM card. The company is not responsible for damages from stored information that is lost.
- Always follow emergency procedures to suspend service if your SIM card or device (SIM card inserted) is lost or stolen. For details, contact Customer Service.
- Always power off the mobile broadband device before inserting or removing the SIM card.

Insert or Remove a SIM Card

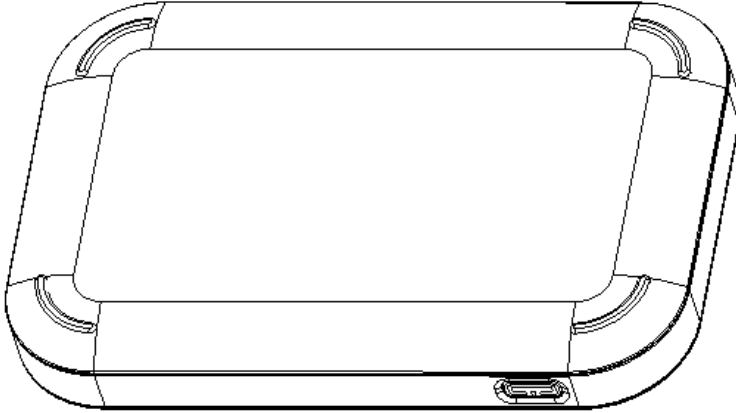
Follow these instructions to insert or remove a SIM card. Remember to power off your device before inserting or removing a SIM card.

Note: Your device's SIM card is preinstalled. These instructions are for reference only.

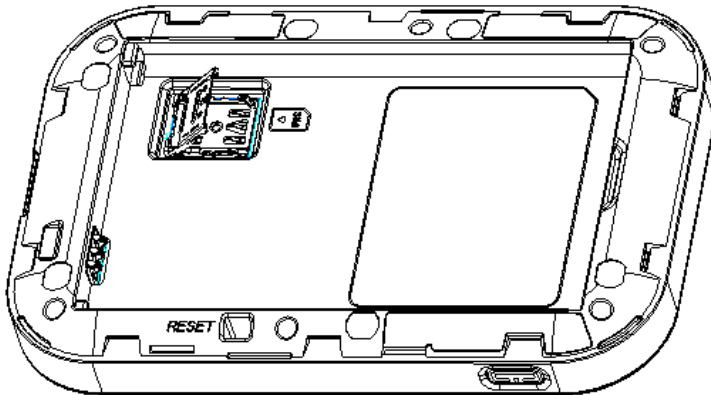
1. Press and hold the **Power** key  to turn off the device before inserting or removing the SIM card.



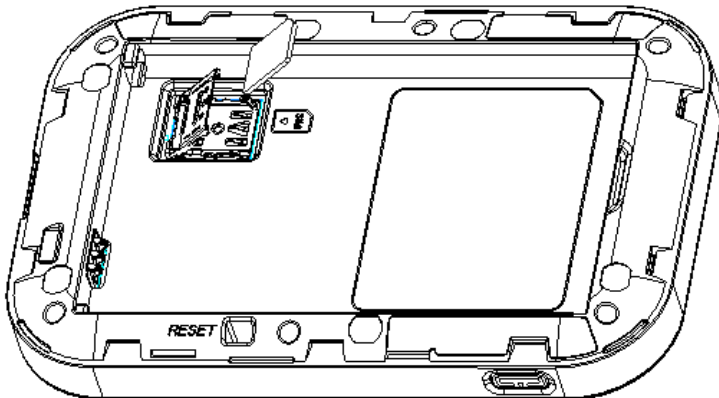
2. Remove the battery cover.



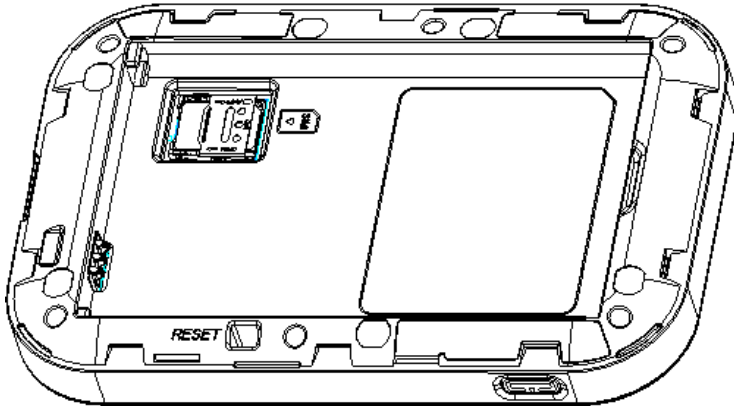
3. Remove the battery
4. Open the SIM card cover by sliding the metal rectangular cover away from the SIM picture engraved on the device (You will feel it unlock.) and lift the cover.



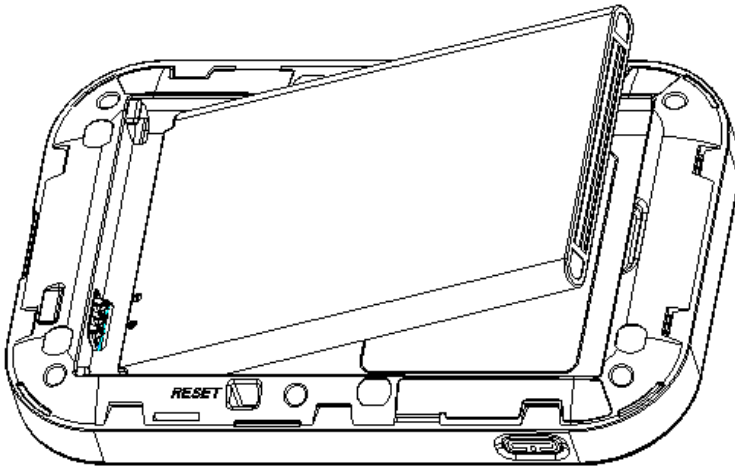
5. Place the SIM card gently with gold IC chip facing downward. Use the SIM picture engraved on device to make sure it is placed properly.



6. Flip the metal rectangular cover back on as shown below and while gently pressing the metal cover, slide towards the SIM picture to secure the SIM. (You will feel it lock.)



7. Insert the Battery.



- Align the contacts of the battery with the contacts in the device.

8. Put the battery cover on.

Battery Use

The following topics explain how to insert and remove your device's battery.

Battery Cautions

Storage: Avoid storing or leaving the battery with no charge remaining. Saved information and settings may become lost or changed, or battery may become unusable. Charge once every six months before storing or leaving unused for a long period.


Bulges: Depending on use, bulges may appear near end of battery life. This does not affect safety.

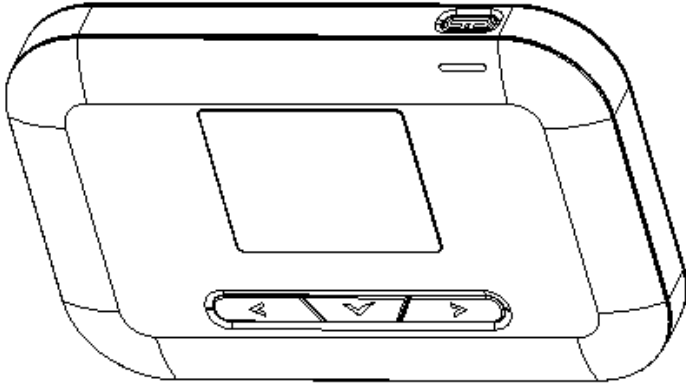
Replacing the Battery: The battery's lifespan will depend on frequency of use and other factors. It needs to be replaced if operating time shortens noticeably. Purchase a new battery.

Cleaning: Clean soiled terminals between battery and device with a clean, dry cotton swab. Soiled terminals can result in a poor connection and prevent charging, etc.

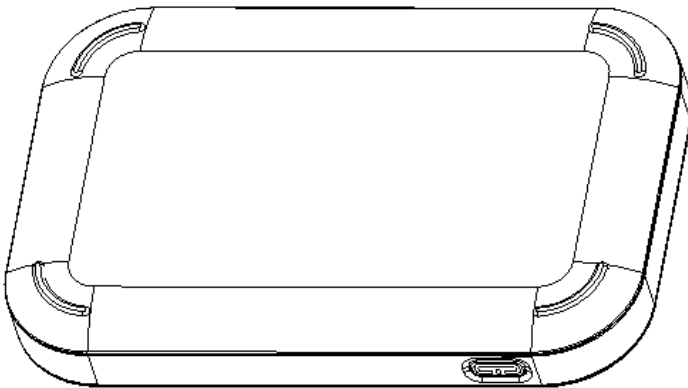
Inserting / Removing the Battery

Follow these instructions to insert your device's battery safely and properly.

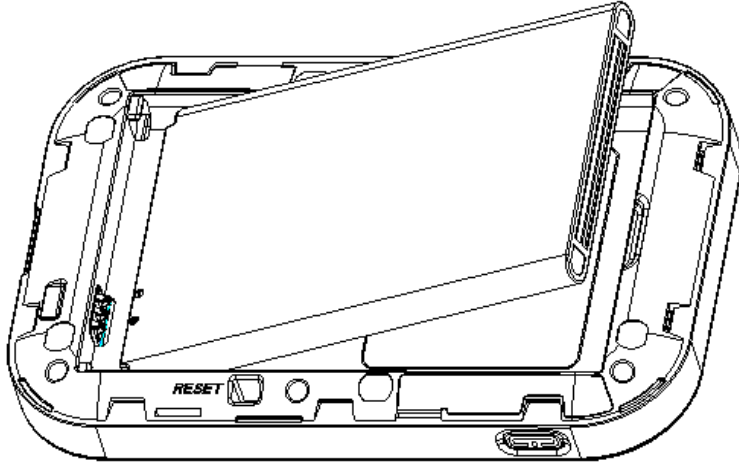
1. Press and hold the **Power** key  to turn off the device before inserting or removing the battery.



2. Remove the battery cover.



3. Remove or Insert the battery



4. Put the battery cover on.

Charge the Battery

Follow these instructions to charge your device's battery using the included AC adapter.

Battery Charging Cautions

Charging Conditions: Under low temperatures charging performance decreases. Charge your device in temperatures between 0°C – 45°C. Do not charge in places where there is high humidity. USB charging may be unavailable depending on Wi-Fi router temperature.

Use Supplied Accessories: Always use the supplied AC adapter.

Precaution for Extended Use: Your device may become hot when used for a long time or while charging, especially in high temperatures. Prolonged contact with skin may cause low-temperature burn injuries.

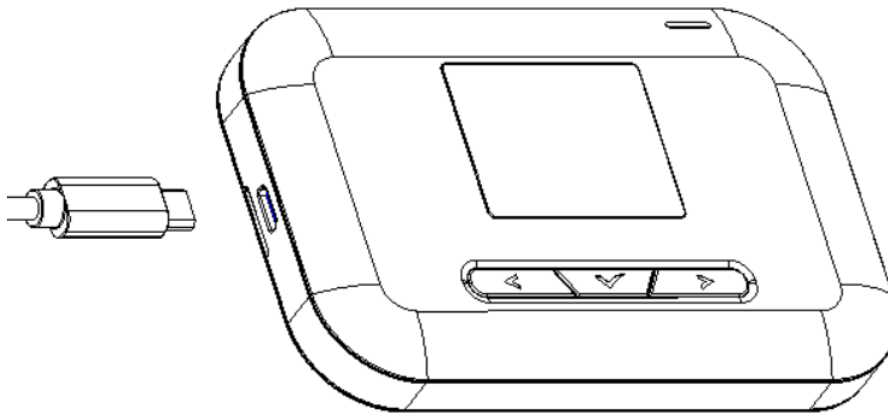
The R910 and AC Adapter Becoming Warm or Hot: Your device and the AC adapter may become warm while charging. This is not a malfunction. However, stop using them immediately if they become extremely hot; this could indicate a malfunction.

Charge Using the AC Adapter

Use the supplied AC adapter.

1. Plug the AC adapter into an electrical outlet.
 - ❖ The indicator light on the power button illuminates red when charging starts. The light turns green when the battery is fully charged. Fully charging a battery may take up to three hours.

After charging, disconnect the device from the charger.



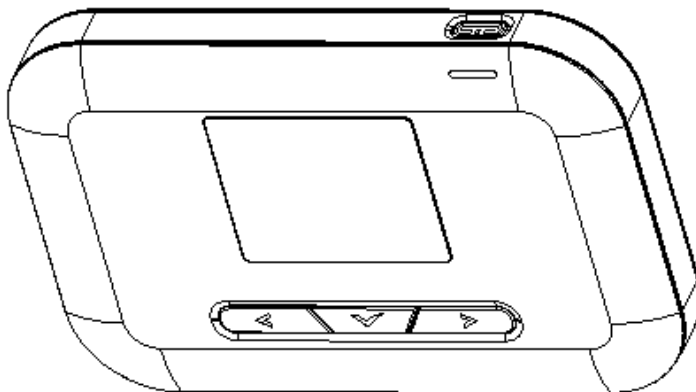
- Unplug the AC adapter from the outlet, and remove the micro USB connector from the device.

Turn Your Device On and Off

The instructions below explain how to turn your device on and off, or to restart your device if it cannot be powered on and off using the **Power** button .

Turn Your Device On

- Press and hold the **Power** button  until the device displays "Welcome".



Turn Your Device Off

- Press and hold the **Power** button  until the device displays "Goodbye".
- Your device will power off.

Restart Your Device

If your device will not turn on or off using the Power button, remove and re-insert the battery (see the section "[Insert the Battery](#)"), then press and hold the power button again.

Note: Restarting your device does not reset the device settings.

Connect with Wi-Fi (WLAN)

The following topics outline basic features and operations of your device's Wi-Fi (WLAN) connections.

Wi-Fi (WLAN) Overview

Below are some basics of your device's Wi-Fi (WLAN) function.

Wi-Fi (WLAN) Information

- **Advanced Settings:** Change your device's Wi-Fi (WLAN) settings as required. See [Wi-Fi Advanced Settings](#)
- **Simultaneous Connection:** Use your device to connect up to 10 Wi-Fi devices simultaneously.
- **Automatic Updates for Optimizing Wi-Fi Connection:** When connected by Wi-Fi, connection optimizing settings may be automatically received and updated.
- Your device supports IEEE 802.11 b/g/n standards. Connect Wi-Fi devices (PC, game console, etc.) via Wi-Fi for wireless data transfers.

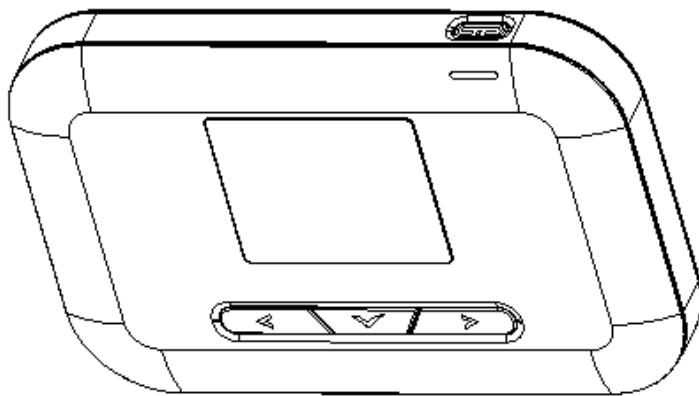
! Wi-Fi (WLAN) Usage Cautions

For added security, it is recommended that you change the default Wi-Fi network name (SSID) and Wi-Fi password after setting up your device.

Activate Wi-Fi (WLAN) Function

Follow the instructions below to activate your device's Wi-Fi function and connect to the Internet via an available 4G LTE connection. Use the Web UI to select a network.



- Press and hold the **Power** button  until the device displays "Welcome".



Your device's Wi-Fi function automatically turns on once the device is powered up completely.

Connecting to the Internet

The following information describes how to connect your device with various Wi-Fi capable devices.

1. Press and hold the **Power** button  to power on your R910.
 - ❖ Your device's Wi-Fi function activates and automatically connects to the Internet.
2. Turn On Wi-Fi function on your Wi-Fi capable device.
3. Find and Select your R910 device's Wi-Fi Name (SSID) from the list, and click **Connect**.
4. Enter the Wi-Fi password displayed on home screen and then click **Next**.
 - ❖ When connection is made successfully, you should see an icon like so on your hotspot:  (the number indicates the number of devices connected to your R910)

Settings

The following topics provide an overview of items you can change using the device **setting** menu accessed through the Web UI.

Web UI Overview

Use the device Web UI in a browser to check or change your R910 settings from a device connected via Wi-Fi.

Web UI Window

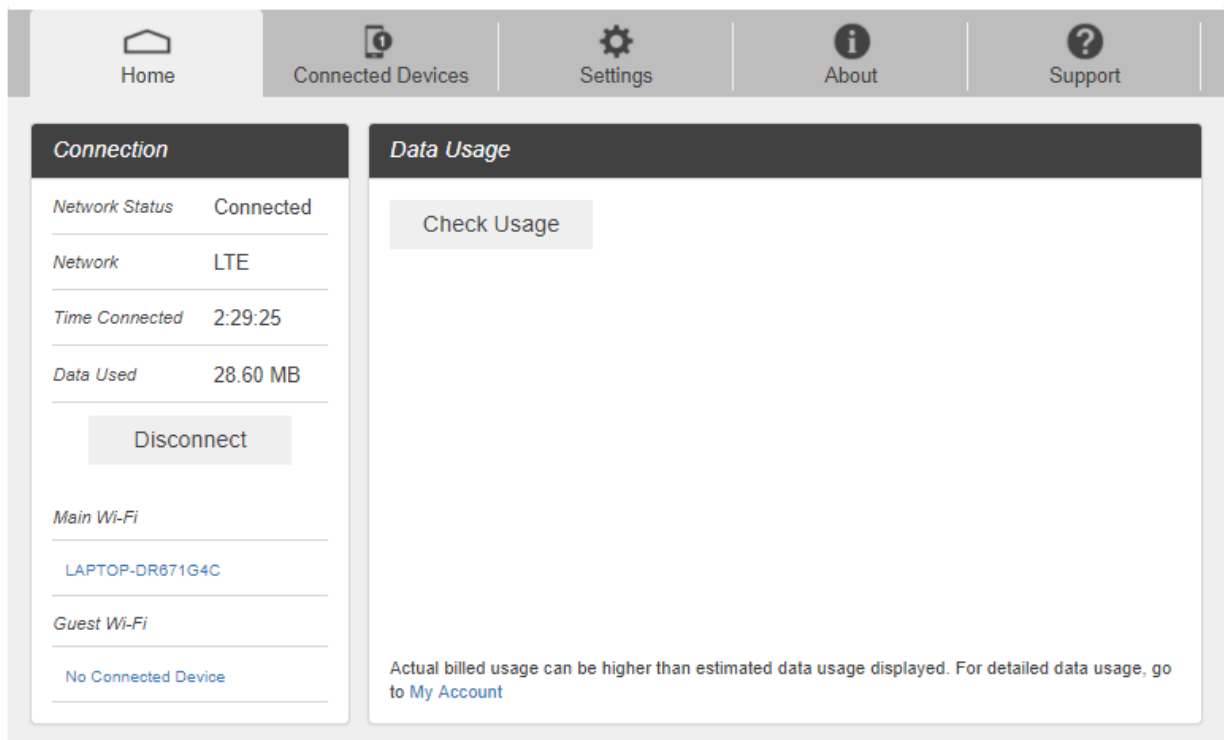
Explore the options available through the device's Web UI window.

1. Connect your R910 to an external device via Wi-Fi connection.
2. Launch a browser and access the Web UI via <http://myhotspot> or <http://192.168.128.1> .
 - ❖ The Web UI launches and displays the main window.

Home

Check current status of network connection and data usage on the Home page.

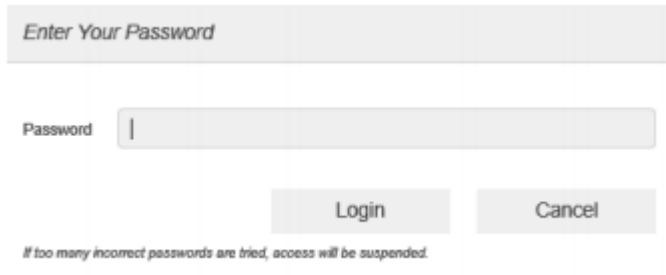
- From the Web UI, click the Home tab. (For connection information, see [Web UI Overview](#).)



Admin Log in

Accessing other menus will require admin log in.

1. Click "Log in" on the upper right corner of the main screen to log in. (clicking other menus on the main screen will prompt the log in page as well.)



The image shows a login form with a header "Enter Your Password". Below it is a text input field labeled "Password" with a vertical cursor. To the right of the input field are two buttons: "Login" and "Cancel". At the bottom of the form, there is a small note: "If too many incorrect passwords are tried, access will be suspended."

2. Enter the password and click "Login".

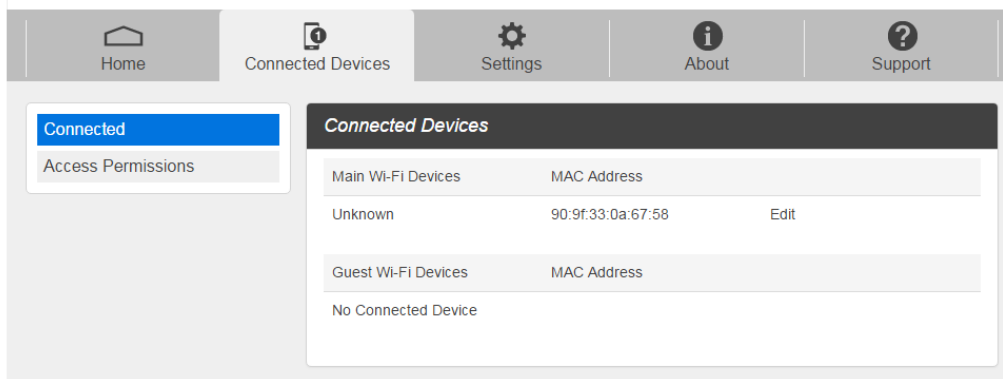
Note: The default password is "password." It's recommended to change the password for your security.

Connected Devices

The Connected Devices tab lets you confirm the names and MAC addresses of devices currently connected to your device and set access permissions.

Check the Connected Devices

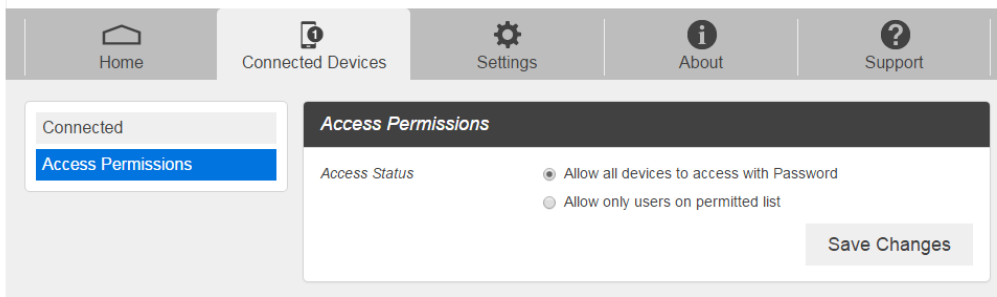
- From the Web UI, click **Connected Devices>Connected** to display the list of connected devices.



Set Access permissions

Allows user to let all devices access with password or limit access to only permitted users. Changing this status will immediately update the status of devices listed to access Wi-Fi from this device, even if they have the password.

1. From the Web UI, click **Connected Devices>Access Permissions**.



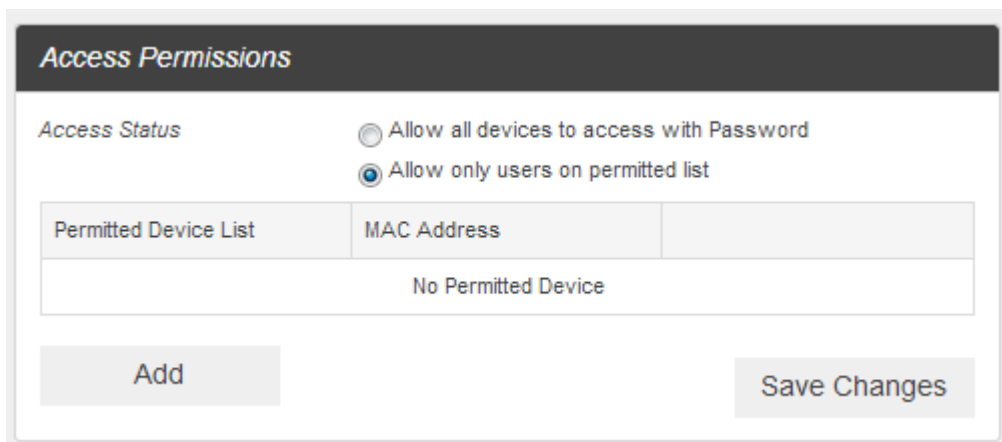
2. Select an access status and then click **Save Changes**.

Add Permitted Devices

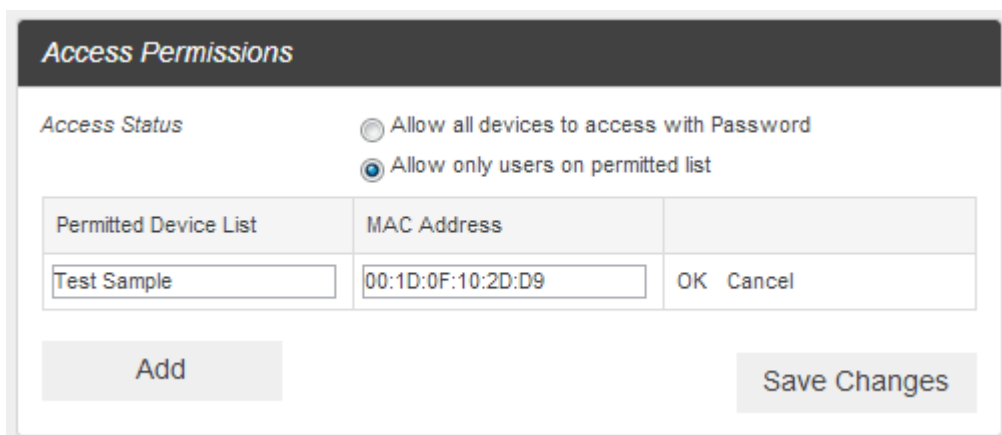
The Access Permissions menu allows you to restrict access only to specific users, instead of anyone who enters the password. To restrict access in this manner, you need to add permitted users from the menu.

1. From the Access Permissions menu, select **Allow only users on Permitted list**.

❖ The Add Devices option will appear onscreen.



2. Click **Add** to get started.
3. Enter a Friendly Name (optional) and the MAC address of the permitted device.
 - A sample MAC address might be 00:1D:0F:10:2D:D9.



4. Click “**Add**” again to add more permitted devices.
5. When you are finished adding permitted devices, click **Save Changes**.

❖ Access to your device will be restricted to the devices in your list.

Settings Tab

Set your device options, including Wi-Fi, Mobile Network, Device and Advanced Router Settings.

Wi-Fi Basic Settings

Set the basic Wi-Fi settings for your device.

- From the Web UI, click **Settings>Wi-Fi>Basic** to display the basic wireless network parameters.

The screenshot displays the 'Wi-Fi Basic Settings' page. On the left is a navigation menu with 'Wi-Fi' selected and 'Basic' highlighted. The main content area is titled 'Wi-Fi Basic Settings' and contains the following sections:

- Multi SSID:** Radio buttons for ON and OFF (OFF is selected).
- Multi SSID Isolation:** Radio buttons for ON and OFF (OFF is selected).
- Allow guest Wi-Fi users to access the web interface:** A checkbox that is currently unchecked.
- Main Wi-Fi:**
 - Wi-Fi Name:** Text input field containing 'R910a-002222'.
 - Wi-Fi Password:** Text input field containing '0089082a'.
 - Wi-Fi Band:** Radio buttons for 2.4G (selected) and 5G.
 - Privacy Separator:** Radio buttons for ON and OFF (OFF is selected).
 - SSID Stealth:** Radio buttons for ON and OFF (OFF is selected).
 - Authentication Method:** Dropdown menu set to 'WPA/WPA2-PSK'.
 - Encryption Method:** Dropdown menu set to 'AES-TKIP'.
- Maximum Connections:**
 - Maximum Connections:** Dropdown menu set to '15'.
- Display Settings:**
 - Display Wi-Fi Name and Password:** Radio buttons for ON (selected) and OFF.
- Buttons:** 'Save Changes' and 'Reset' buttons are located at the bottom right.
- Wi-Fi Settings Reset:** A section with the text 'This operation will return all Wi-Fi settings to the default.' and a 'Reset' button.

- **Multi SSID:** Select ON if you like to set up a separate guest Wi-Fi network. Your R910 will broadcast two Wi-Fi Names.
- If ON is selected for Multi SSID, an extra menu called **Guest Wi-Fi** will appear like below. Please note: a maximum connection of 10 will be shared between Main Wi-Fi and Guest Wi-Fi.

Guest W-Fi

W-Fi Name

W-Fi Password

W-Fi Band 2.4G 5G

Privacy Separator ON OFF

SSID Stealth ON OFF

Authentication Method

Encryption Method

Maximum Connections

Maximum Connections

Main W-Fi +

Guest W-Fi +

- **Multi SSID Isolation:** If On is selected, it will prevent your device from communicating across the Main and Guest Wi-Fi's.
- **Allow Guest Wi-Fi users to access the web interface:** If the box is checked, users on the Guest Wi-Fi also can access the Web User Interface.
- **Wi-Fi Name:** Service Set Identifier (SSID). To change it, enter a string less than 32 characters as the name for your wireless local area network (WLAN).
- **Wi-Fi Password:** To change, enter the new Wi-Fi password. The password needs to be at least 8 characters long.
- **Wi-Fi Band:** If 5G is selected, Wi-Fi will use 5G band.
- **Privacy Separator:** If ON is selected, your devices on the same Wi-Fi Name can't make Local Area Network communication. (Note: if you connect WLAN printer to your R910, Privacy Separator should be OFF to send file from your PC to the printer.)
- **SSID Stealth:** If OFF is selected, the Wi-Fi name will not appear in the list of available networks. You need to manually enter Wi-Fi name and connect.
- **Authentication Method:** Use this setting to select the desired type of Wi-Fi security used to encrypt the wireless network. WPA2 is the latest and most secure method and should be used whenever possible.

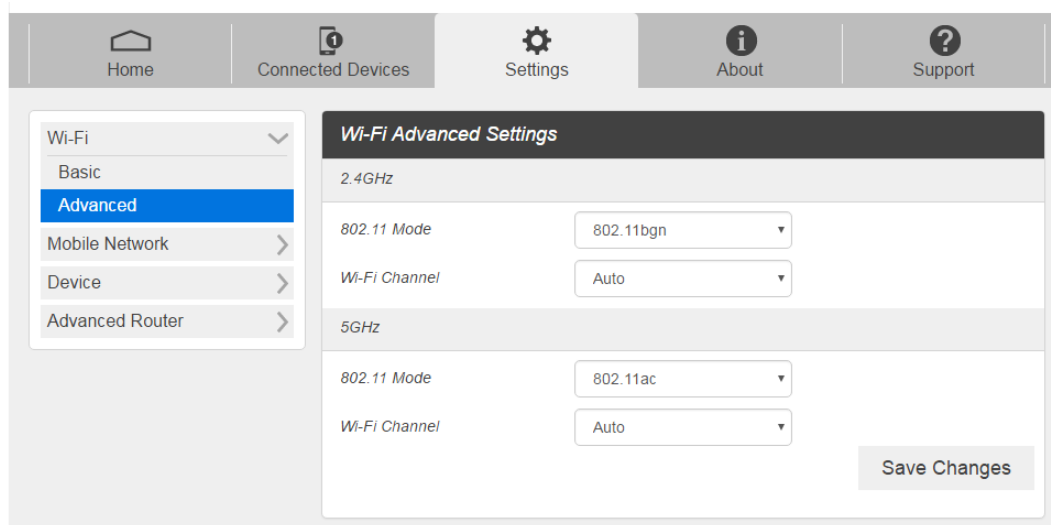
Mode	Description
Open	Authentication and encryption won't be performed. There are risks that private info will be intercepted or network will be used by unauthorized individuals
SHARED	Authentication via Shared Key protocol
WPA2-PSK	WPA2-PSK is the securer version of WPA with

	implementation of the 802.11i standard.
WPA-PSK/WPA2-PSK	Apply both the WPA-PSK and WPA2-PSK scheme

- **Encryption Method:** Use this setting to select the desired type of Encryption Method. Advanced Encryption Standard (AES) is the latest and most secure option for your wireless network and should be used whenever possible.
- **Maximum Connections:** Choose the maximum number of the devices you want connected to your R910 simultaneously. Manage the number of device connections between the Main Wi-Fi and the Guest Wi-Fi.
- **Display Wi-Fi Name and Password:** If ON is selected, the Wi-Fi Name and Password will be displayed on your R910 device home screen.
- **Save Changes :** Make sure to click Save Changes after you set your desired settings.
- **Wi-Fi Settings Reset:** Click the **Reset** button to reset all Wi-Fi settings to default.

Wi-Fi Advanced Settings

1. From the Web UI, click **Settings>Wi-Fi>Advanced**.



- **802.11 Mode:** Use this setting to change the Wi-Fi mode. R910 Supports 802.11b, 802.11g, and 802.11n modes in the 2.4GHz band and supports two mixed modes. 5GHz band supports 802.11n mode and 802.11ac mode respectively.
- **Wi-Fi Channel:** Use this setting to change the Wi-Fi channel of 2.4GHz band or 5GHz band.

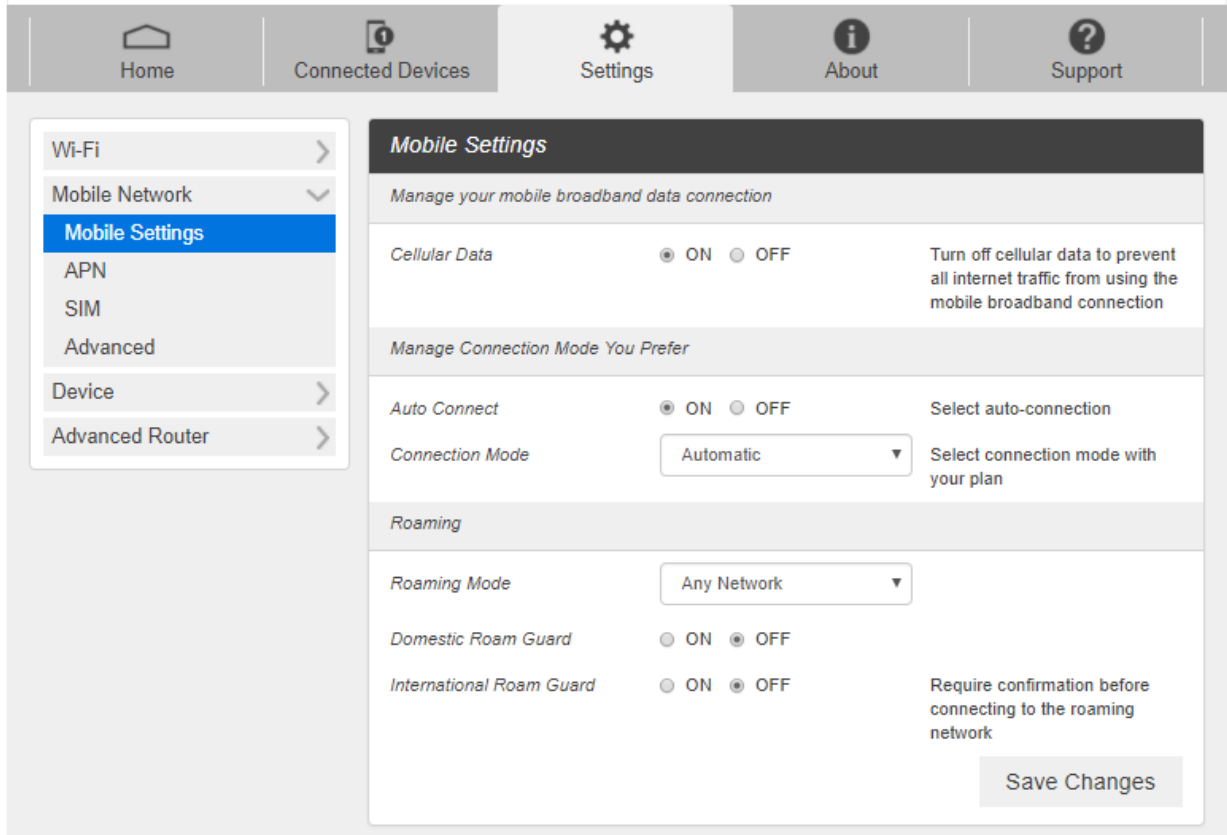
2. Click **Save Changes** to save your settings.

Mobile Network Settings

! Mobile Network Settings should only be used as directed by Customer Service personnel.

Mobile Settings

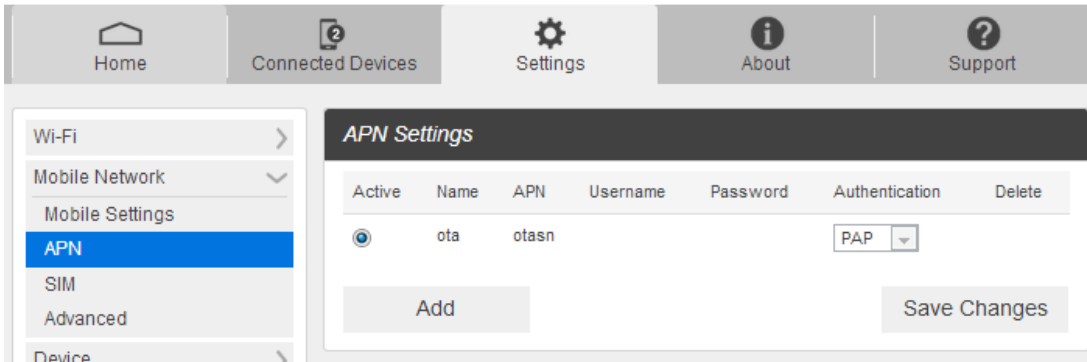
6. From the Web UI, click **Settings>Mobile Network>Mobile Settings**. The Mobile Settings page is shown in the following figure.



- **Cellular data:** Turn Cellular data on or off. Turn it OFF to prevent all Internet traffic from using the mobile broadband connection.
- **Auto Connect:** Turn the device on or off to automatically connect to the network.
- **Connection Mode:** Change Connection Mode. Support Automatic, LTE/CDMA, CDMA, UMTS.
- **Roaming Mode: Change Roaming Mode:** select among 3 choices. (**Caution: allowing roaming could result in additional service charges.**)
- **Domestic Roaming Guard:** Turn Domestic Roam Guard on or off. Turn it ON to require confirmation before connecting to the roaming network.
- **International Roaming Guard:** Turn International Roam Guard on or off. Turn it ON to require confirmation before connecting to the roaming network.
- Click **Save Changes** to save your settings.

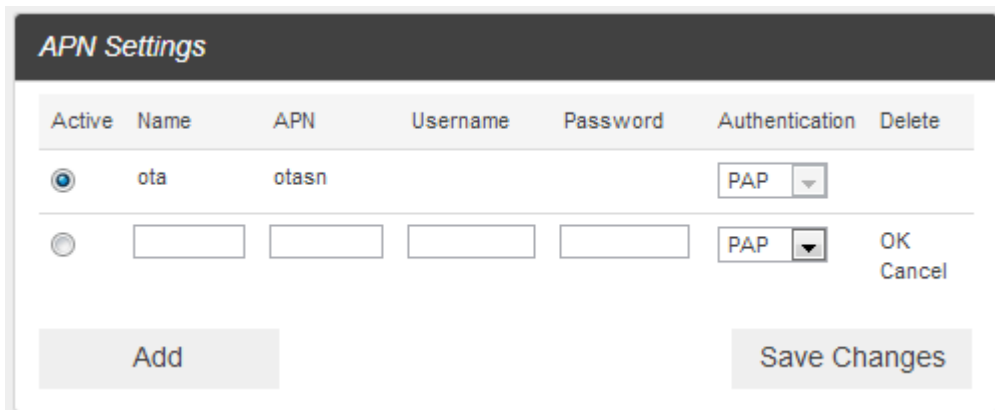
APN

- From the Web UI, click **Settings>Mobile Network>APN**. The default APN parameters are shown in the following figure. You can use the default APN to connect to the Internet. You can also add new APNs.



- To add a new APN, follow the steps below:

- Click **Add** to access the following page.



- Enter the related parameters as described in the following table.

Parameters	Description
Name	Type the profile name.
APN	Type the APN string.
User name	User name is used to obtain authentication from the ISP when the connection is established.
Password	Password is used to obtain authentication from the ISP when the connection is established.

Parameters	Description
Authentication	Password Authentication Protocol (PAP) provides a simple method without encryption for the peer to establish its identity using a 2-way handshake. Challenge-Handshake Authentication Protocol (CHAP) is used to periodically verify the identity of the peer using a 3-way handshake.

3. Click **Save** to add the new APN.

■ **Additional APN Options**

The screenshot shows the 'APN Settings' interface. It features a table with the following columns: Active, Name, APN, Username, Password, Authentication, and Delete. The first row shows an active APN named 'ota' with APN 'otasn' and authentication 'PAP'. The second row shows an inactive APN named 'Test' with APN 'testapn' and authentication 'PAP', with 'Edit' and 'Delete' buttons next to it. At the bottom, there are 'Add' and 'Save Changes' buttons.

- To activate the new APN, check the circle in front of it and then click **Save Changes**.
- To edit the new APN, click **Edit**, change the settings, and then click **Save**.
- To delete the new APN, click **Delete**.

Note: The default APN cannot be edited or deleted.

SIM

- From the Web UI, click **Settings>Mobile Network>SIM**. The SIM PIN lock is disabled by default. You can enable it by entering a SIM PIN.

The screenshot shows the SIM settings page. At the top, there are navigation tabs: Home, Connected Devices, Settings, About, and Support. On the left, a sidebar menu includes Wi-Fi, Mobile Network (expanded to show Mobile Settings, APN, SIM, and Advanced), Device, and Advanced Router. The main content area is titled 'SIM' and contains the following text: 'The SIM card inside your device can be locked using a PIN. If the SIM card is locked you must enter the PIN below before you are able to connect to the internet.' Below this, the 'SIM Status' is 'Disabled'. The 'Desired Action' is a dropdown menu set to 'Enable PIN'. There is an input field for 'Enter Current PIN'. A warning message states: '1 attempts remain until your sim is PUK locked. Entering an incorrect PIN too many times will PUK lock your SIM and you will be unable to use this device. You will need to contact your service provider to unlock the SIM.' A 'Save Changes' button is located at the bottom right. The footer of the page reads '©2015 Sprint - All Rights Reserved'.

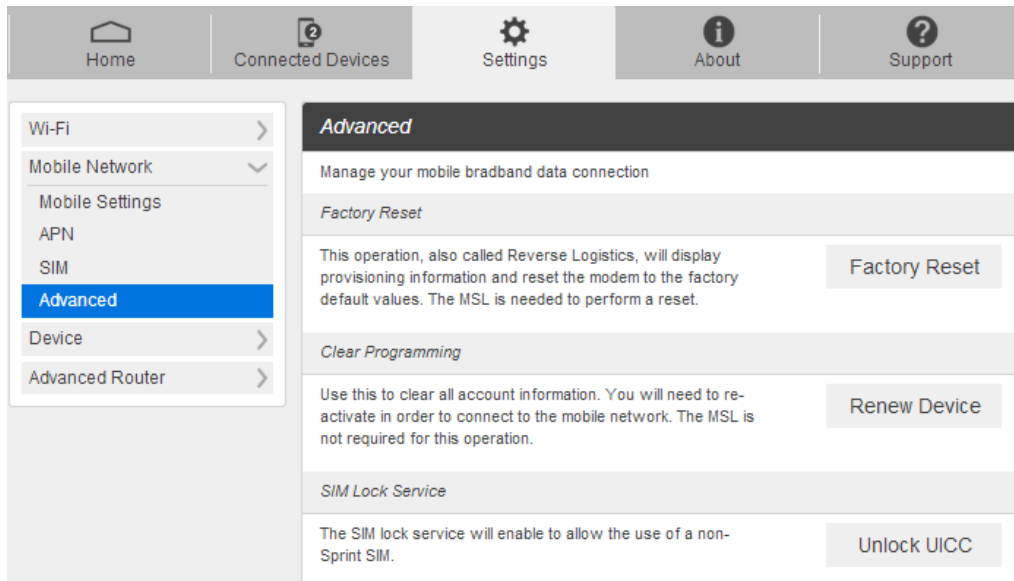
- Enter the SIM PIN and press “Save Changes”. The SIM Status will be changed to Enabled. Once the SIM PIN Lock is enabled, you need to enter the SIM PIN to connect to the mobile broadband network each time you power on your R910.

Note: If you enter the wrong SIM PIN three times, your SIM will be disabled permanently until you enter the PUK code from your service provider. **Please contact your Service Provider.**

Advanced Mobile Network Settings

! *Caution: Advanced Mobile Network Settings should only be used as directed by Customer Service personnel. Certain advanced options will reset your device's connections and programming and will require reactivation.*

- From the Web UI, click **Settings>Mobile Network>Advanced** to access the mobile network advanced settings.



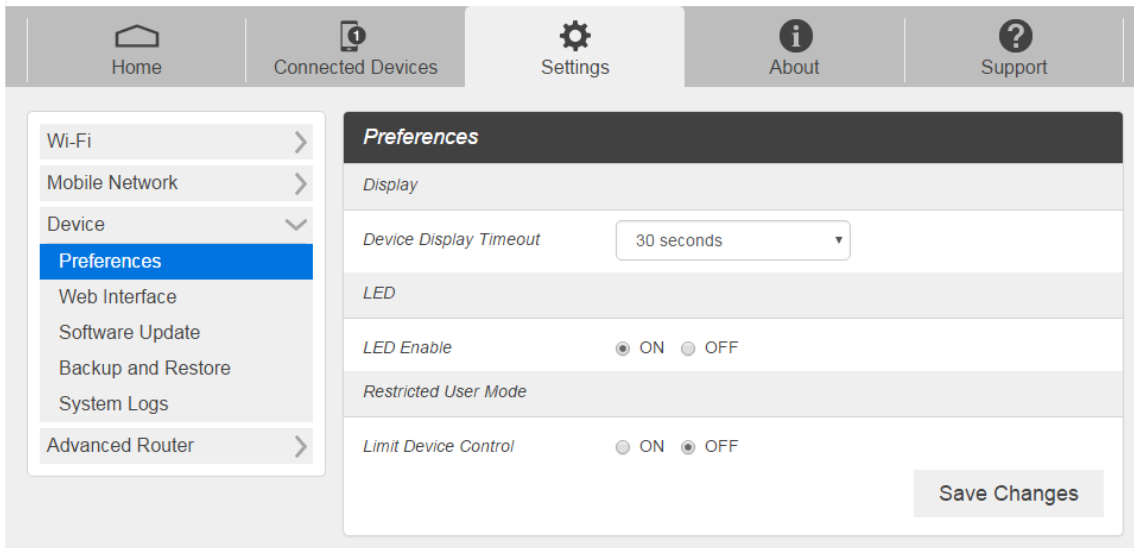
- **Factory Reset:** Click **Factory Reset** to reset the R910 to factory default value.
- **Clear Programming:** Click **Renew Device** to clear all account information.
- **SIM Lock Service:** Click **Unlock UICC** to allow the use of SIM from various service providers.

Device Settings

The Device settings menu lets you set display brightness, manage account password, update software, back up, restore and check system logs.

Preferences

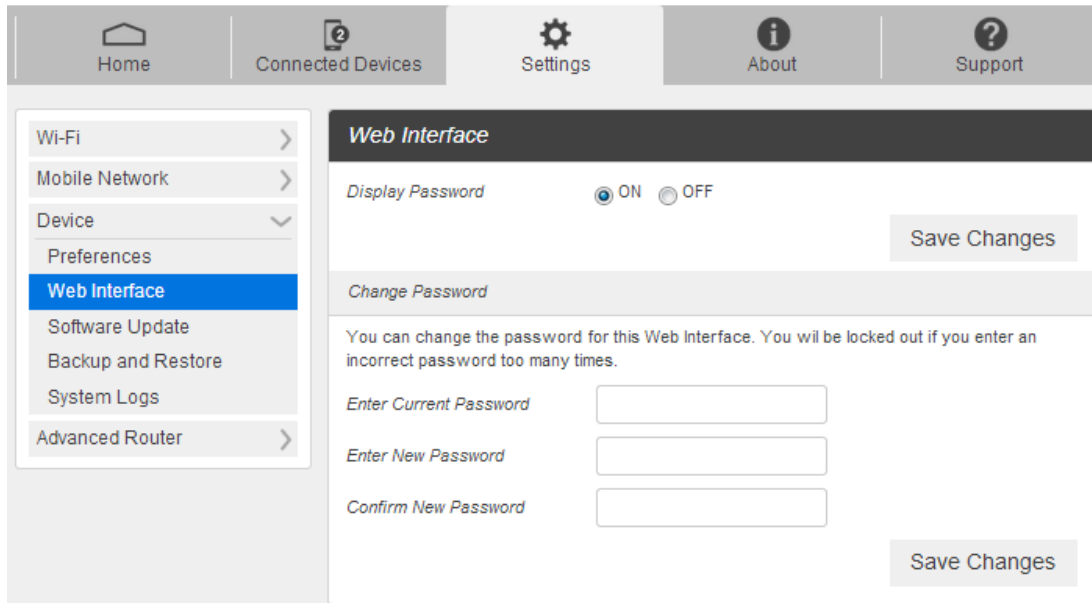
1. From the Web UI, click **Settings>Device>Preferences**. You can set the display timeout on this page.



- **Display Timeout:** Select a timeout time from the drop-down list. Your R910 display turns off after this timeout period if device is idle.
 - **LED Enable:** If ON is selected, the LED indicator next to Your R910 display will blink when the device is on. This LED is a power indicator that shows the device is on when the device display is off.
 - **Limit Device Control:** If ON is selected, Restricts Wi-Fi Setting or Factory Reset in Device UI.
2. Click **Save Changes** to save your settings.

Web Interface

1. From the Web UI, click **Settings>Device>Web Interface**. You can manage your Web UI admin password on this page.

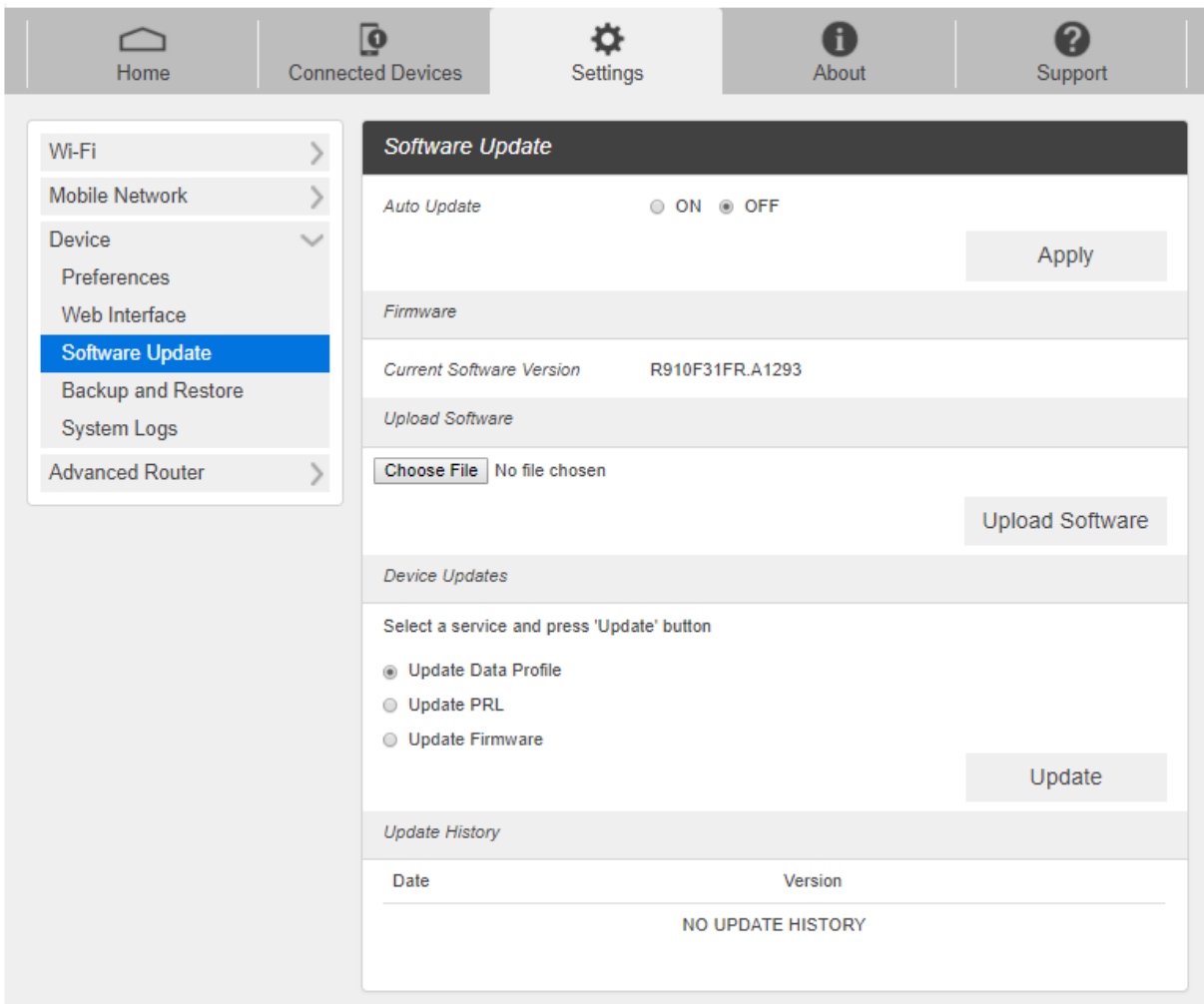


The screenshot shows the 'Web Interface' settings page. At the top, there is a navigation bar with icons for Home, Connected Devices, Settings, About, and Support. On the left, a sidebar menu lists various settings, with 'Web Interface' highlighted in blue. The main content area is titled 'Web Interface' and contains two sections: 'Display Password' and 'Change Password'. The 'Display Password' section has a radio button for 'ON' (selected) and a radio button for 'OFF', with a 'Save Changes' button to the right. The 'Change Password' section has a heading 'Change Password' and a warning: 'You can change the password for this Web Interface. You will be locked out if you enter an incorrect password too many times.' Below this are three input fields labeled 'Enter Current Password', 'Enter New Password', and 'Confirm New Password', with a 'Save Changes' button at the bottom right.

- **Display Password:** If ON is selected, the Web Interface admin password is displayed on your R910 device display home screen.
 - **Change Password:** Allows changing password of Web UI Log in.
2. Click **Save Changes** to save your settings.

Software Update

From the Web UI, click **Settings>Device>Software Update**. You can update the software on this page.



Read the onscreen options and click the update you would like to initiate.

Auto Update: If ON is selected, your R910 will check the latest software periodically and update if new software is available.

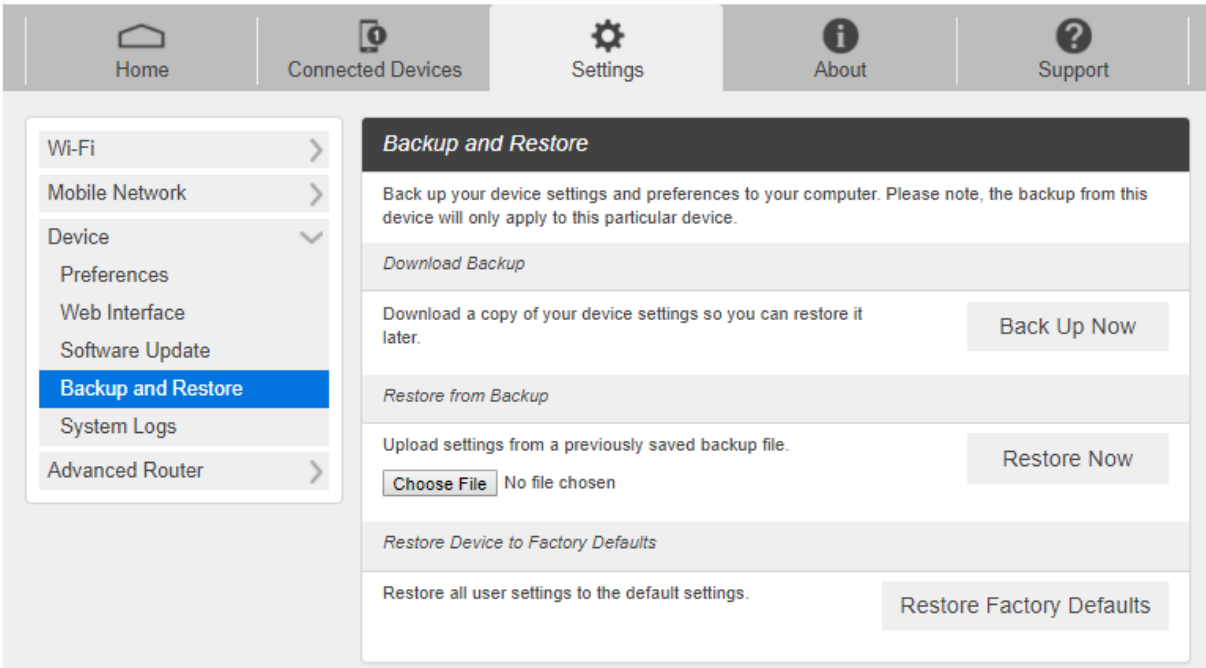
Update Software: If you have a new software file provided by your service provider, you can select the file and update your R910 manually by pressing Update Software button.

Device Updates: If you would like to check for new data profile, PRL, or Firmware, select desired option and press the Update button. Your R910 will check for the latest version. If available, the device will proceed to update.

Update History: Displays the update history list.

Backup and Restore

- From the Web UI, click **Settings>Device>Backup and Restore** to back up your device settings to your computer, restore settings from backup file, or restore your device to its factory default settings.



Backup

To back up your device settings to your computer, follow the steps below:

1. Click **Back Up Now**.
2. Click **Save** on the pop-up window.
3. Choose a location on your computer to save the backup file.
4. Click **Save**.

Restore

To restore from backup file, follow the steps below:

1. Click **Select File** to select the backup file on your computer.
2. Click **Restore now**.

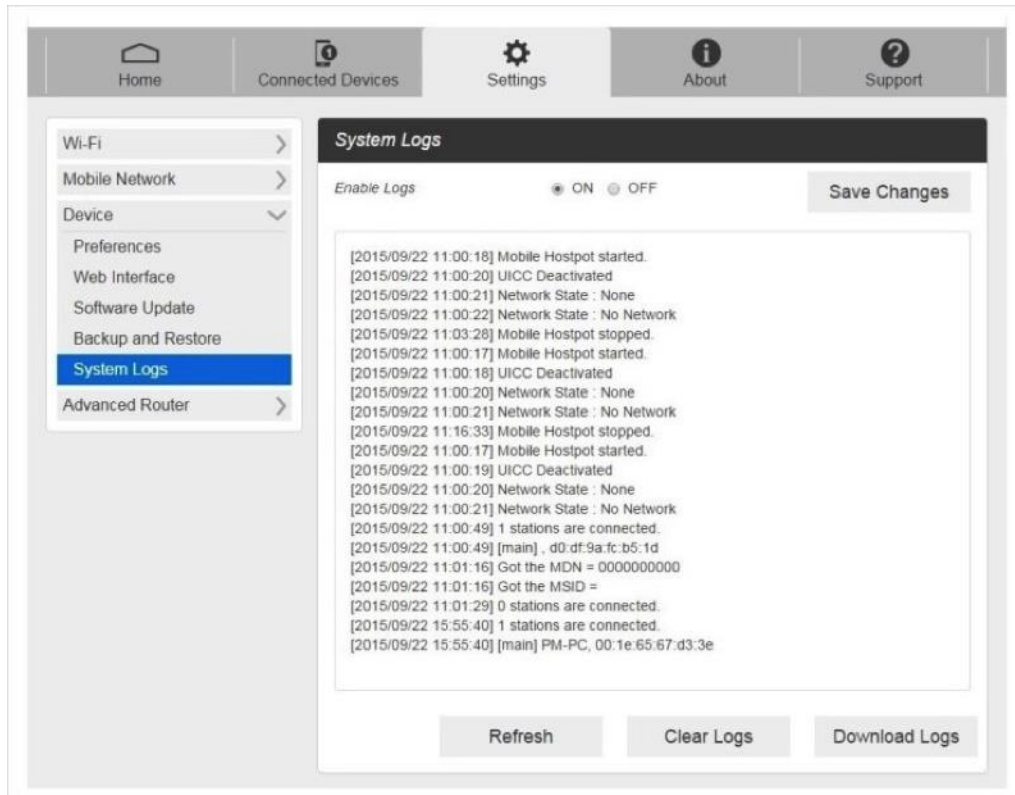
Restore to Factory Defaults

To restore your device to its factory default settings, follow the steps below:

1. Click **Restore factory default**.
2. Click **Yes** to confirm the command.

System Logs

- From the Web UI, click **Settings>Device>System logs**, and then click **Download logs** to download the system logs displayed.



Note: System logs are used for engineering purposes by your service provider. Keep it OFF during regular usage of your device.

Advanced Router Settings

Configure LAN settings, Firewall and Customization.

LAN Settings

From the Web UI, click **Settings>Advanced Router>LAN Settings** to display the router information shown in the following figure.

The screenshot displays the LAN Settings page. At the top, there is a navigation bar with icons for Home, Connected Devices, Settings, About, and Support. On the left, a sidebar menu lists options: Wi-Fi, Mobile Network, Device, Advanced Router, LAN Settings (highlighted), Firewall, and Captive Portal. The main content area is titled 'LAN Settings' and includes the following fields and controls:

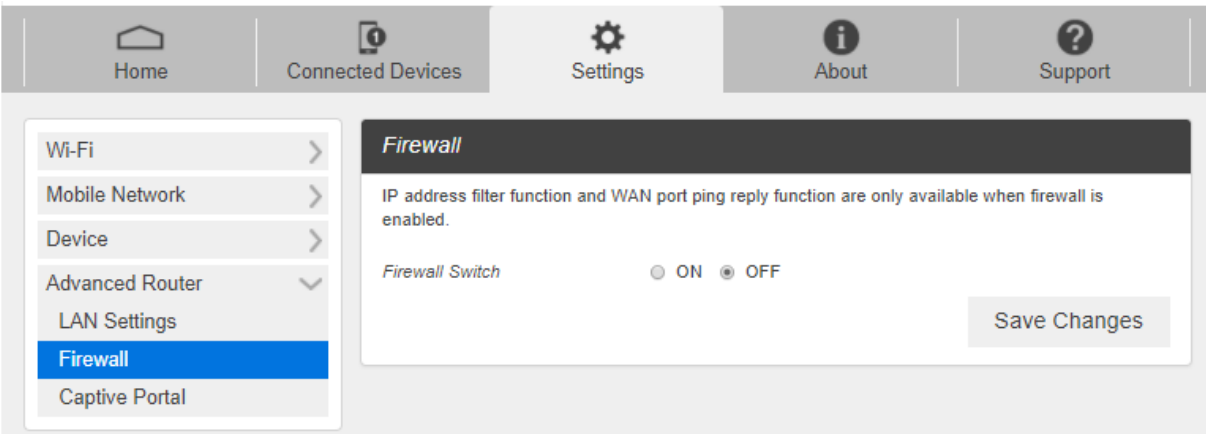
- IP Address:** 192.168.128.1 (Network Access Identifier)
- Subnet Mask:** 255.255.255.0
- VPN Passthrough:** ON OFF
- DHCP Server:** ON OFF
- DHCP IP Range:** 192.168.128.20 ~ 192.168.128.60
- DHCP Lease Time:** 86400
- DNS Mode:** Your device automatically selects a Domain Name Server (DNS) or you can manually select one.
- DNS Manual Mode:** ON OFF
- UPnP:** ON OFF
- NAT Timeout:** 200

A 'Save Changes' button is located at the bottom right of the settings area.

1. **IP Address:** IP address for Web User Interface.
2. **Subnet Mask:** Subnet mask for the IP address.
3. **VPN passthrough:** VPN passthrough must be enabled if you want to allow VPN tunnels to pass through your device's firewall.
4. **DHCP Server:** Enable or disable DHCP Server function.
5. **DHCP IP Range:** Allocate begin and end IP address for IP Range.
6. **DHCP Lease Time:** Define how long the leased IP address will be in use before expiration. The new IP address will be assigned.
7. **DNS manual mode:** Turn DNS manual mode on or off.
8. **UPnP:** Turn UPnP (Universal Plug n Play) mode on or off.
9. **NAT Timeout:** Set TCP NAT time.
10. Click **Save Changes** to save your settings.

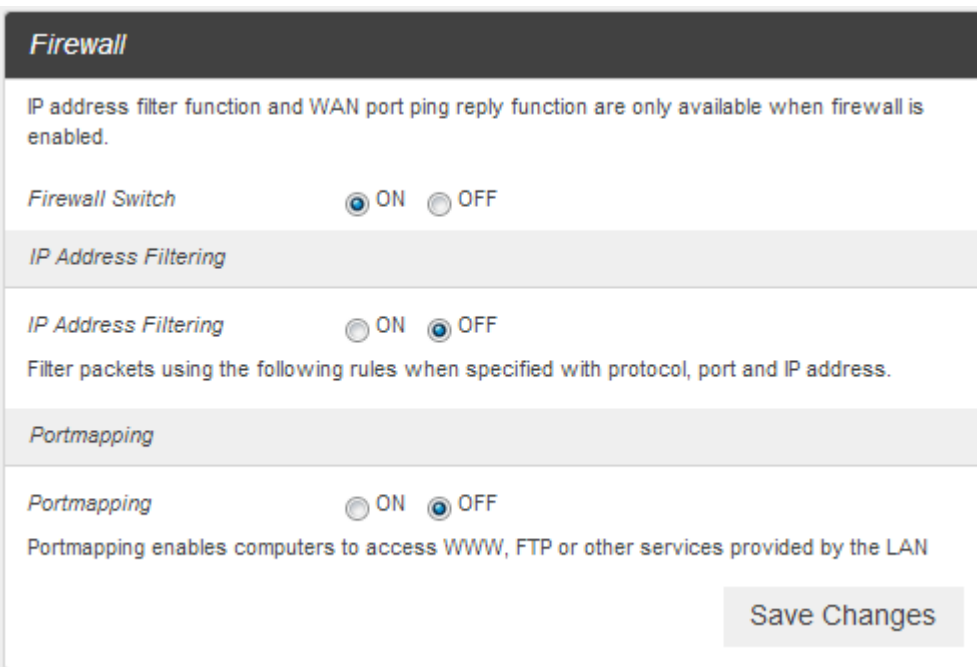
Firewall

From the Web UI, click **Settings>Advanced Router>Firewall**. You may set up firewall rules to protect your network from virus and malicious activity on the Internet.



■ IP Address Filtering

To set IP Address Filtering rules, follow the steps below:



- ① Turn on the Firewall Switch.
- ② Turn on the IP Address Filtering.
- ③ Click **Add**.

IP Address Filtering

IP Address Filtering ON OFF

Filter packets using the following rules when specified with protocol, port and IP address.

- LAN/WAN port: The Value range is 1 ~ 65535.
- Settings not enabled until applied.

Name	WAN IP Address	WAN Port	Protocol	Status	Options
<input type="text"/>	<input type="text"/>	<input type="text"/>	TCP ▾	ON ▾	OK Cancel

Add

④ Enter the related parameters as described in the following table.

Parameters	Description
LAN IP address	Enter the LAN IP address.
LAN port	Set the LAN port.
WAN IP address	Enter the WAN IP address.
WAN port	Set the WAN port.
Protocol	Set which protocol will be used for filtering.
Status	Set how to handle the packet if it matches with the rule.

⑤ Click **Save Changes** to add the new filtering rule.

■ **Portmapping**

To set portmapping rules, follow the steps below:

- ① Turn on the Firewall Switch
- ② Turn on Portmapping.
- ③ Click **Add**

Portmapping

Portmapping ON OFF

Portmapping enables computers to access WWW, FTP or other services provided by the LAN

- IP Address: Specify LAN address. Packets which match the specified conditions will be forwarded to this address.
- LAN/WAN port: Port of the computer providing services. It is a single port with value range of 1 ~ 165535.
- Protocol: Protocols applied by services.
- Settings not enabled until applied.

Name	WAN Port	LAN IP Address	LAN Port	Protocol	Status	Options
<input type="text"/>	<input type="text"/>	<input type="text"/>	<input type="text"/>	TCP ▼	ON ▼	OK Cancel

Add

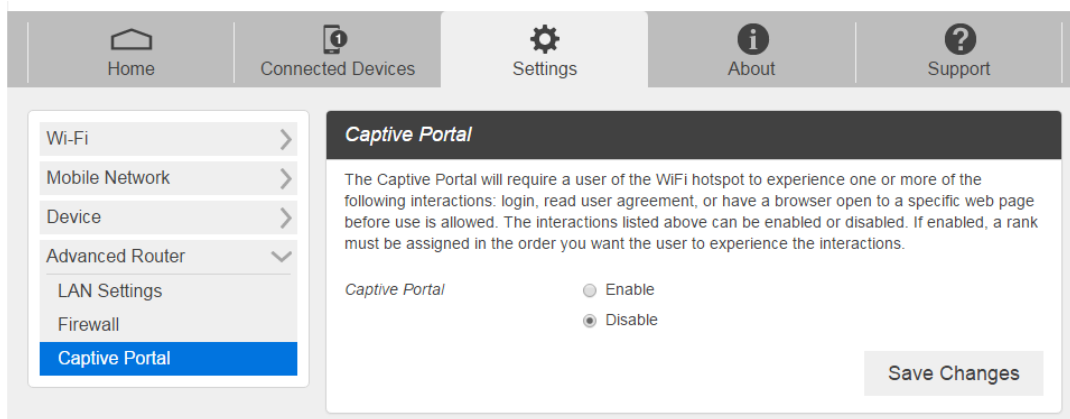
- ④ Enter the related parameters as described in the following table.

Parameters	Description
Name	Enter a name for the rule.
WAN port	Set the WAN port.
LAN IP address	Enter the LAN IP address.
LAN port	Set the LAN port.
Protocol	Set which protocol will be used for filtering.
Status	Set how to handle the packet if it matches with the rule.

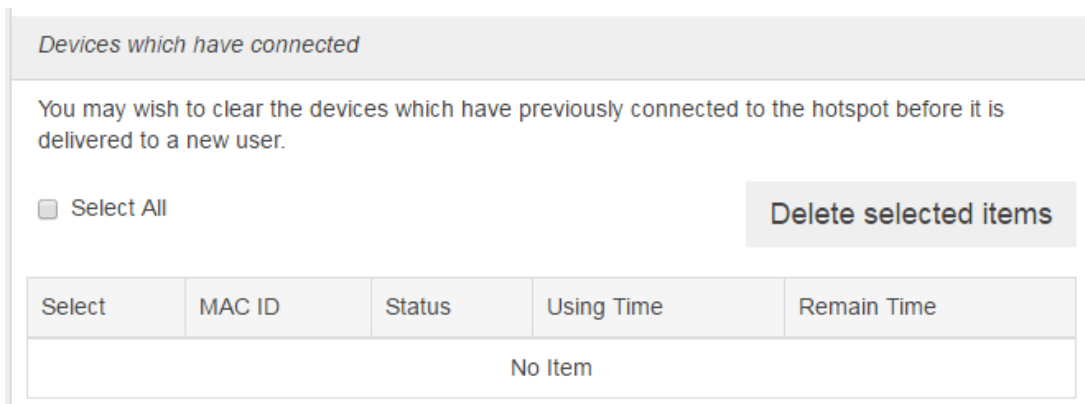
Click **Save Changes** to save your settings.

Captive Portal

From the Web UI, click **Settings>Advanced Router>Captive Portal**. You may set up Captive Portal. The Captive Portal will require a user of the WiFi hotspot to experience one or more of the following interactions: login, read user agreement, or have a browser open to a specific web page before use is allowed. The interactions listed above can be enabled or disabled. If enabled, a rank must be assigned in the order you want the user to experience the interactions.



Previously Connected Devices



Check the information of connected devices through the captive portal function. Selected items can be deleted with the “Delete selected items” button.

Login

It is an item that can set login information to be used for connection when the captive portal function is used, the user can set a period for re-requesting the login.

Login

Login Enable
 Disable

If Login is enabled, a username and password must be selected.

Rank:

Username:

Password:

Frequency of login required:

Start of each new WiFi session
 Every days hours

Rank: Set a rank to assign the priority user is to log in.

Username: When using the captive portal function, the user can set the user name to be used for connection.

Password: When using the captive portal function, the user can set the password to be used for connection.

Frequency of login required: Set when user will be prompted for log in.

User Agreement - Main WiFi Network

Set the User Agreement text to be displayed to the user when using the captive portal function.

User Agreement - Main WiFi Network

The user agreement can be entered and presented by the hotspot.

Main WiFi Network Enable
 Disable

Rank:

Please enter user agreement text here.

Rank: Set a rank to assign the priority user is to see user agreement text.

Text Input Area: enter the User Agreement text.

Browser Redirect - Main WiFi Network

Set the function of redirecting user to a fixed web page when the captive portal function is used.

Browser Redirect - Main WiFi Network

Enabling this function will force the browser to open the selected web page. A web URL must be entered if this is enabled.
Notes: If Login and User Agreement are disabled, Forced Browser Redirect will not work.

Forced Browser Redirect Enable
 Disable

Please enter URL.

Save Changes

Text Input Area: enter the web address for Forced Browser redirect.

Click **Save Changes** to save your settings.

About

Displays your device's connection information, firmware information, WWAN information, Wi-Fi details and device information.

- From the Web UI main screen, Click the **About** tab to view the available information.

The screenshot displays the 'About' page of a mobile web UI. At the top, there is a navigation bar with five tabs: Home, Connected Devices, Settings, About (selected), and Support. The main content area is divided into several sections:

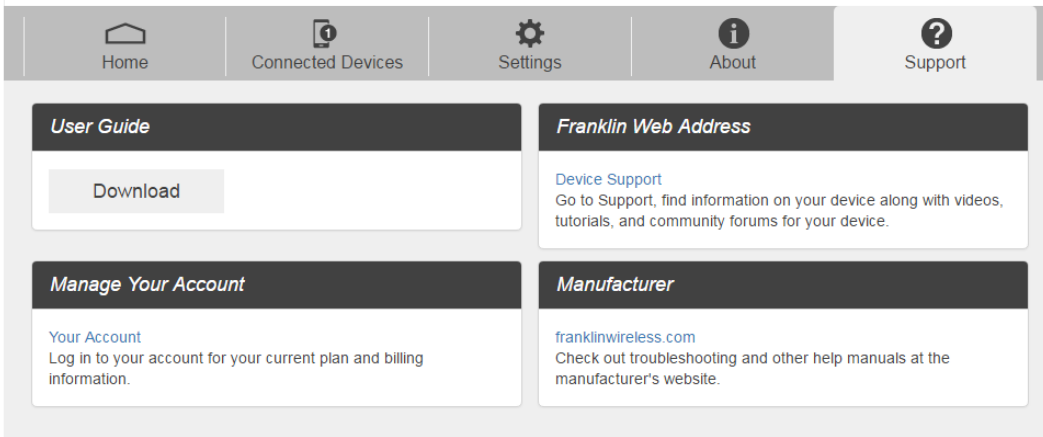
- Account**: My Number (0174288744), MSID (0174288744), MEID (35815804008908), ICCID (8982051212707160925F), IMSI (450050621724518), IMEI (358158040089082).
- Device**: Model (Franklin R910), Manager (http://myhotspot), Hardware Revision (P2), Power State (Online), Current Temperature (38°C), Current Voltage (4.345V), Battery Charge Level (100%), Battery Status (Full).
- Wi-Fi Details**: Wi-Fi Name (R910a-002222), Wi-Fi Password (0089082a), MAC Address (F4:63:49:00:22:22), Encryption (WPAWPA2 AESTKIP), Wi-Fi Devices (1), Max Wi-Fi Devices (15), Broadcast Network Name (Show).
- WWAN Info**: Activation Date (--), Refurbished (No), IP Address (223.54.31.150), LTE APN NI (lte-internet.sktelecom.com), Lifetime Transferred (3.55 MB). A 'Save to File' button is located to the right of this section.
- Firmware**: Web App Version (R910F31FR.A1191), Modem Firmware Version (R910F31FR.M1198), Build Date (Jun 26 2017).

At the bottom, there is a 'Debug Info' section with the text 'View detailed diagnostic information about your device.' and a 'Debug' button.

Support Tab

Obtain support information on this interface.

- From the Web UI main screen, click the **Support** tab to view the available options.



Appendix

The following topics cover items such as troubleshooting, device specifications, applicable warranty and service information, customer service contacts, and applicable trademark and copyright notices.

Troubleshooting

Check below for troubleshooting solutions for common device issues.

Check here first

Issue: Unable to connect via Wi-Fi (WLAN)

Solution 1: Check whether the mobile broadband device is properly connected to the computer or other external device. If not, make sure you have the right Wi-Fi name selected and the Wi-Fi password is entered correctly.

Solution 2: If SHARED WEP is the security method being used, check whether the correct WEP key is entered. If the WEP key is unknown, see Wi-Fi Basic Settings to reset the WEP key and reconnect the device.

Solution 3: Check whether the correct WPA key is set. If the WPA key is unknown, see Wi-Fi Basic Settings to reset the mobile broadband device or see the WLAN Initialization Sticker to reset the WPA key, and then reconnect the device. WPA/WPA2 security may not be supported depending on the Wi-Fi device. See the Wi-Fi device user guide for more information.

Issue: Internet connection fails.

Solution 1: Make sure that you are within the service area.

Solution 2: If signal reception is poor, move to where signal reception is good and then reconnect.

Solution 3: The access point might be busy depending on the time of day. Wait a little and then reconnect.

Solution 4: Activate the Web UI and make sure that network settings are correct

Issue: Transmission fails quickly.

Solution 1: Make sure that the mobile broadband device is properly connected to the PC or other device via Wi-Fi.

Solution 2: Signal reception might be poor. Check transmission where signal reception is good.

Solution 3: Restart the mobile broadband device.

Solution 4: Check the mobile broadband device battery level. If battery level is low, charge with AC charger. See Charge the Battery section for directions on charging your device.

Issue: Transmissions are slow.

Solution 1: Signal reception might be poor. Check transmission where signal reception is good.

Solution 2: Connection might be poor. Try again after a while.

Issue: Forgot PIN / Unknown PIN Unblocking Key (PUK) / SIM card is locked.

Solution: Contact Service Provider

Issue: SIM card is not recognized.

Solution 1: Check whether the SIM card is properly installed. For details, see Insert or Remove a SIM Card.

Solution 2: Check the SIM card for damage.

Solution 3: Check the SIM card IC chip for scratches/corrosion.

Solution 4: Dirty SIM card (particularly IC chip) may prevent recognition. Clean gently with a soft cloth.

Solution 5: Contact Service Provider

Issue: How do I return the mobile broadband device to the default settings (reset)?

Solution 1: Use the reset button located on the back of the device after battery cover removal. (Device must be On when pressing reset button.)

Solution 2: Use the Web UI to reset the device. For details, see Web UI Window.

Issue: An old phone number appears on the Web UI.

Solution: The Web UI may display an old phone number depending on subscription terms or cancellation method.

Issue: The mobile broadband device operation is unstable.

Solution 1: Avoid extremely high/low temperatures, high humidity, direct sunlight, dusty areas, etc. Read "Safety Precautions" for use in a proper environment.

Solution 2: Avoid invalid software. Operation is unguaranteed for Internet connection, etc., using other-party software.

Issue: The connection suddenly failed.

Solution 1: The connection method may have been changed. Check connection mode on the mobile broadband device display.

Solution 2: Restart the mobile broadband device.

Specifications

The following tables list the specifications for the mobile broadband device, the AC charger, and materials.

Mobile Broadband Device Specifications

Item	Description
Model name	R910 Mobile Hotspot
Dimensions ¹	12.5mm (H) x 90.1mm (W) x 67mm (D)
Weight	97g
Interface	WebUI
Power consumption	Normal state: 1.25 Watts Max state : 3.5 Watts
Operating system	Linux OS

Item	Description
Frequency	LTE B2
	DL: 1930 ~ 1990 MHz UL: 1850 ~ 1910 MHz
	LTE B4
	DL: 2110 ~ 2155 MHz UL: 1710 ~ 1755 MHz
	LTE B5
	DL: 869 ~ 894 MHz UL: 824 ~ 849 MHz
	LTE B12
	DL: 729 ~ 746 MHz UL:699 ~ 716 MHz
	LTE B25
	DL: 1930 ~ 1995 MHz UL:1850 ~ 1915 MHz
	LTE B26
	DL: 859 ~ 894 MHz UL: 814 ~ 849 MHz
LTE B41	
DL: 2496 ~ 2690 MHz UL: 2496 ~ 2690 MHz	
WCDMA B1	
DL: 2110 ~ 2170 MHz UL: 1920 ~ 1980 MHz	

Item	Description
Frequency	WCDMA B2 DL: 1930 ~ 1990 MHz UL: 1850 ~ 1910 MHz WCDMA B5 DL: 869 ~ 894 MHz UL: 824 ~ 849 MHz WCDMA B8 DL: 925 ~ 960 MHz UL: 880 ~ 915 MHz CDMA BC0 DL: 869 ~ 894 MHz UL: 824 ~ 849 MHz CDMA BC1 DL: 1930 ~ 1995 MHz UL: 1850 ~ 1915 MHz CDMA BC10 DL: 861 ~ 869 MHz UL: 816 ~ 824 MHz WIFI 2.4G(b/g/n) 2412MHz ~ 2462MHz WIFI 5G(ac) 5180MHz ~ 5825MHz
Compatible networks	LTE category 4 / Wi-Fi IEEE802.11 b/g/n/ac
Charging time²	4.5 hours
Continuous standby time³	27 hours
Continuous communication time³	8.5 hours
Communication speed	LTE category 4 DL : 150Mbps UP : 50Mbps

¹ Approximate values

² Varies by ambient temperature, battery usage, etc.

³ Varies by environment, signal conditions, etc.

AC Charger Specifications

Item	Description
Rated input voltage	100-240Vac
Operating range	90-264Vac
Rated input frequency	50/60Hz +/- 3Hz
Nominal dc output voltage	+5.0V ($\pm 5\%$)
Rating load current	2.0A

Materials Specifications

Parts	Materials/Finishing
A cover	PC(Black),SF coating
B cover	PC(Black)
Battery cover	PC(Black),SF coating
A deco	PC(Black),UV(Gloss 80%)
Power key	PC(Milky White),Spray(Black),UV(Gloss 80%)
LCD Bracket	PC(Black)
Rubber feet	Silicon(Black)

Warranty and Service

The following topics outline your device's warranty and service information.

Warranty

Your device purchase includes Warranty.

- Confirm shop name and purchase date.
- Read contents of Warranty and keep it in a safe place.
- Check warranty period in the Warranty.

Services

Before submitting your device for repairs, contact your Service Provider's Customer Service or General Information; be prepared to describe the problem in detail.

- During the warranty period, repairs will be made under the terms and conditions described in the Warranty.
- After the warranty period, repairs will be upon request; if said repairs can be made, you will be charged for them.

Customer Service

For mobile broadband device or service information, call general information. For repairs, call your Service Provider's customer assistance.

Trademarks and Copyright Information

The names of companies, products, and services used in this guide are registered trademarks or trademarks of the respective companies.

Franklin Wireless logo is trademarks or registered trademarks of Franklin Wireless Corporation in US. Copyright © 2017 Franklin Wireless Corporation. All rights reserved.

Safety and Notices

The following topics address important safety precautions, general notes, and required RF exposure information for your mobile broadband device.

Safety Precautions

The following topics outline important safety precautions that must be observed when using your device.

Important Notice

Due to the nature of wireless communications, transmission and reception of data can never be guaranteed. Data may be delayed, corrupted (i.e., have errors) or be totally lost. Although significant delays or losses of data are rare when wireless devices are used in a normal manner with a well-constructed network, your device should not be used in situations where failure to transmit or receive data could result in damage of any kind to the user or any other party, including but not limited to personal injury, death, or loss of property. Franklin Wireless accepts no responsibility for damages of any kind resulting from delays or errors in data transmitted or received using your device, or for failure of your device to transmit or receive such data.

Safety and Hazards

Do not operate your device under the following conditions.

- In areas where blasting is in progress
- Where explosive atmospheres may be present
- Near medical equipment
- Near life support equipment, or any equipment that may be susceptible to any form of radio interference.

In such areas, your device **MUST BE POWERED OFF**. Your device can transmit signals that could interfere with this equipment.

Do not operate your device in any aircraft, whether the aircraft is on the ground or in flight. In aircraft, your device **MUST BE POWERED OFF**. When operating, your device can transmit signals that could interfere with various onboard systems.

Note: Some airlines may permit the use of cellular phones while the aircraft is on the ground. Your device may be used at this time if allowed by airlines.

The driver or operator of any vehicle should not operate the device while in control of a vehicle. Doing so will detract from the driver or operator's control and operation of that vehicle. In some jurisdictions, operating such communications devices while in control of a vehicle is an offense.

Proper Battery Use and Disposal

Follow these guidelines to ensure safe and responsible battery use.

- Do not open, disassemble, puncture, crush, bend, or shred.
- Do not expose to water or other liquids, fire, explosion, or other hazards.
- Use the original R910 battery supplied with your device.
- If using with a charger, use only the AC charger supplied with your device.
- Do not short circuit the battery.
- When replacing a battery, use the same model of battery that was supplied with your device.
- Follow local regulations when disposing of a used battery.
- Avoid dropping your device or the battery. If dropped and you suspect damage, take it to a service center for inspection.
- Battery usage by children should be supervised.

Note: Improper battery use may result in a fire, explosion, or other hazard.

FCC Compliance

This device complies with part 15 of the FCC Rules. Operation is subject to the following two conditions: (1) This device may not cause harmful interference, and (2) this device must accept any interference received, including interference that may cause undesired operation.

Note: Any changes or modifications not expressly approved by the party responsible for compliance could void the user's authority to operate this equipment.

This equipment has been tested and found to comply with the limits for a Class B digital device, pursuant to part 15 of the FCC Rules. These limits are designed to provide reasonable protection against harmful interference in a residential installation. This equipment generates, uses and can radiate radio frequency energy and, if not installed and used in accordance with the instructions, may cause harmful interference to radio communications. However, there is no guarantee that interference will not occur in a particular installation. If this equipment does cause harmful interference to radio or television reception, which can be determined by turning the equipment off and on, the user is encouraged to try to correct the interference by one or more of the following measures:

- Reorient or relocate the receiving antenna.
- Increase the separation between the equipment and receiver.
- Connect the equipment into an outlet on a circuit different from that to which the receiver is connected.
- Consult the dealer or an experienced radio/TV technician for help.

RF Exposure Information and Specific Absorption Rate (SAR) Information

The following topics detail the specific absorption rate (SAR) information, electromagnetic safety information, and radiofrequency (RF) exposure information for this device.

This device is designed and manufactured not to exceed the emission limits for exposure to radio frequency (RF) energy set by the Federal Communications Commission of the United States.

During SAR testing, this device is set to transmit at its highest certified power level in all tested frequency bands, and placed in positions that simulate RF exposure in usage against, and near the body with the separation of 10 mm. Although the SAR is determined at the highest certified power level, the actual SAR level of the while operating can be well below the maximum value. This is because the device is designed to operate at multiple power levels so as to use only the power required to reach the network. In general, the closer you are to a wireless base station antenna, the lower the power output.
Safety and Notices 90

The exposure standard for wireless employs a unit of measurement known as the Specific Absorption Rate, or SAR. The SAR limit set by the FCC is 1.6W/kg.

Tests for SAR are conducted using standard operating positions accepted by the FCC with the device transmitting at its highest certified power level in all tested frequency bands.

The FCC has granted an Equipment Authorization for this model device with all reported SAR levels evaluated as in compliance with the FCC RF exposure guidelines. SAR information on this model device is on file with the FCC and can be found under the Display Grant section of <http://fcc.gov/oet/ea/fccid> after searching on **FCC ID: XHG-R910**

More information on the device's SAR can be found from the following FCC website:
<http://fcc.gov/oet/ea/fccid>.

While there may be differences between the SAR levels of various devices and at various positions, they all meet the government requirement.

SAR compliance for body operation is based on a separation distance of 10 mm between the unit and the human body. Carry this device, at least 10 mm away from your body to ensure RF exposure level compliant or lower to the reported level. To support body operation, choose the belt clips or holsters, which do not contain metallic components, to maintain a separation of 10 mm between this and your body.

Index

- 2.4GHz, 22
- 5GHz, 22
- AC charger, 42, 44, 50
- Admin Log in, i, 18
- Auto Connect, 23
- Backup, ii, 31
- Battery, i, iii, 2, 5, 6, 10, 11, 13, 14, 42, 47, 49, 50
- Cellular data, 23
 - charge, 11, 13, 42
 - connected device, 7
- Connected Device, 18, 37
- Connection Mode, 23
- customer service, 42
- Customer Service, 48
- Data Transfer Speed, 7
- default password, 18
- Device Layout(illustration), 4
- factory default, 5
- Factory Reset, 27, 28
- home screen, 5, 16, 22, 29
- insert, 5, 8, 11, 14
- Install, 5
- Mac*, 2
- Mac Address, 7
- materials, 44
- Materials, 47
- micro USB cable, 5
- network name, 15
- Network Name, 2
- operating system, 2
- Operating system, 44
- Operating System, 1
- OS, 1
- Package Contents, 2
- Password, 2, 6, 21, 22, 25, 29, 38
- Power key, 9, 11, 47
- power off, 8, 14
- Power Off, 14
- power on, 5, 16, 26
- Power On, 14
- Remove, i, 5, 8, 9, 12, 43
- reset, 5, 14, 22, 27, 42, 43
- Restart Your Device, i, 14
- restore, 28, 31
- roaming, 6, 7, 23, 24
- Safety Precautions, iii, 43, 49
- Security Key, 2
- Services, 48
- Settings, 17
- SIM card, 5, 8, 9, 10, 43
- SIM Lock Service, 27
- specific absorption rate, 50
- specifications, 8, 42, 44
- Specifications
 - AC charger, 47
 - Materials, 47
 - Mobile broadband device, 44
- SSID, i, 2, 6, 7, 15, 16, 20, 21
- Status Bar Icons, i, 6
- Transfer Speed, 7
- Troubleshooting, 42
- Turn Device Off, 14
- Turn Device On, 14
- update, 18, 28, 30
- VPN, 33
- warranty, 42, 47, 48
- Web UI, i, 15, 17, 18, 20, 22, 23, 24, 26, 27, 28, 29, 30, 31, 32, 33, 34, 37, 40, 41, 42, 43
- Wi-Fi, i, ii, 1, 2, 6, 7, 13, 15, 16, 17, 18, 20, 21, 22, 28, 40, 42, 46
- Wi-Fi Network Name, 2
- windows, 1
- Windows*, 2
- WLAN, i, 6, 15, 21, 42